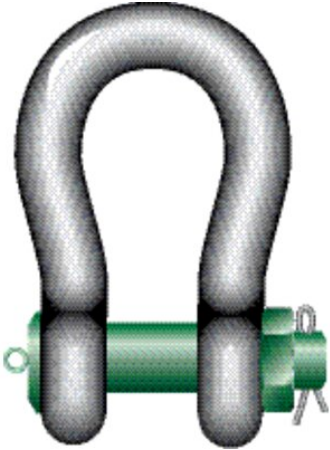


Heavy Duty Shackle Green Pin® P-6036

Product information



Bow shackles with safety bolt.

Certification: This product can be supplied with a works certificate, 3.1 material certificate, manufacturer test certificate, EC Declaration of Conformity. All shackles starting from 150 tons are supplied with a Lloyd's Register of Shipping Certificate on proof load.

Material: Bow and pin alloy steel, quenched and tempered.

Marking: CE-marked

Finish: Shackle bow painted silver, pin painted green (120 tons shackle is hot dipped galvanized).

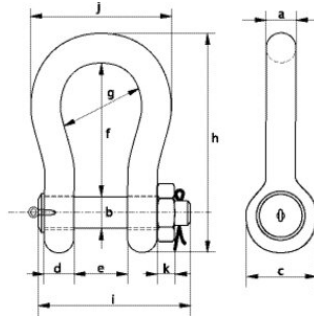
Note: This shackle can also be delivered with fixed nut (an extra AISI 316 securing bolt is drilled through both the nut and shackle pin. This securing bolt is fastened with two sets of Nord-Lock®)

Safety factor: 5:1

Grade: 8

Heavy Duty Shackle Green Pin® P-6036

Blueprint



Technical data

Part code	WLL ton	A mm	B mm	C mm	D mm	e mm mm	f mm mm	g mm mm	h mm mm	i mm mm	j mm mm	k mm mm	Weight kg	Delivery time
420112000970	120	95	95	208	95	147	400	238	647	453	428	50	110	2
420115000970	150	105	108	238	105	169	410	275	688	496	485	50	160	10
420120000970	200	120	130	279	120	179	513	290	838	564	530	70	235	10
420125000970	250	130	140	299	130	205	554	305	904	614	565	70	295	10
420130000970	300	140	150	325	140	205	618	305	996	644	585	80	368	10
420140000970	400	170	175	376	164	231	668	325	1,114	690	665	70	560	10
420150000970	500	180	185	398	164	256	718	350	1,190	720	710	70	685	10