

GKS Transport Trolley L20/F20

Product information



The GKS worldwide approved transport trolleys solving your in-house heavy load standards - safe and perfect! Series F and L – the perfect 3-point moving solution for safe and simple transport. F trolleys – the rear axle of the load moving system with adjustable connecting bar to fit under heavy loads of almost any width. L trolleys – the front steering support with swivel top and tow eye to guide your loads safely. Wheels - special GKS wheels, that do not mark floors. Low rolling resistance and highest stability for numerous uses.

L20/F20 set:

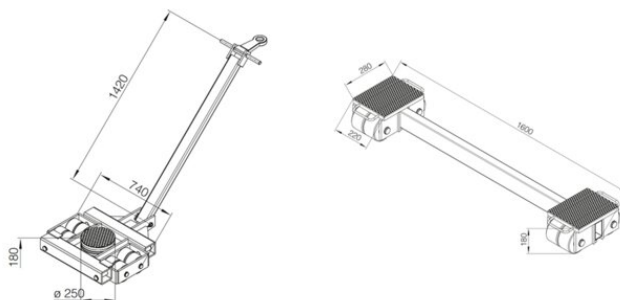
- Heavy duty transport trolleys for loads upto 40 t.
- Extremely low loading height: 180 mm
- All transport trolleys from F/L20 to F/L60 are interchangeable due to identical loading height.

Contact us for more possibilities! Sets available up to 120t.

... [Read more](#)

GKS Transport Trolley L20/F20

Blueprint



Technical data

| Part code | Type | Loading height mm | Number of wheels | Swivel plate dia. mm | Wheels diameter mm | Swivel pad steerable at | Width mm | Contact surface mm | Dimensions mm | Weight kg |
|-----------|------------------|-------------------|------------------|----------------------|--------------------|-------------------------|----------|--------------------|-------------------|-----------|
| 900511060 | Rear, stationary | 180 | 8 | - | 140x85 | - | 440-1600 | 280x220 | - | 81 |
| 900511061 | Front, steerable | 180 | 8 | 170 | 140x85 | ± 90° | - | - | (L) 747 x (W) 800 | 170 |